

Services



Millwork

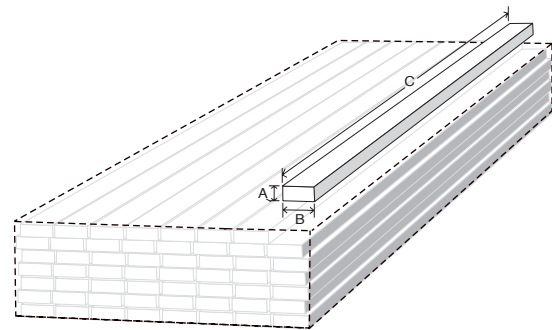
Jackel Enterprises' in house millwork services provide many value added opportunities to enhance your woodworking capabilities.

Band mill- resizes logs, timbers, and cants from 24" wide to 36" high, lengths to 24'

Resaw- thin resawing to 3/16" thick

Planing- surfacing 2 sides as thin as 1/8"

Kiln Drying- dehumidification kiln lengths to 20'



Molding- custom moldings from short runs to thousands of feet

Cut to Size- Jackel can size your lumber to your exact dimensions

Distressing, stain & wax- We can finish lumber or timbers to an antique appearance.



1-800-711-WOOD

347 Locust Street, Watsonville, CA 95076 831-768-3880 FAX: 831-768-3883
www.JackelEnterprises.com e-mail: quote@JackelEnterprises.com

Expertise

Over 30 years of woodworking and lumber experience is available to you. Jackel has provided a variety of materials in many projects thereby building a bank of practical experience. We are happy to share that experience when it comes to issues of availability, properties and characteristics.

Special Orders

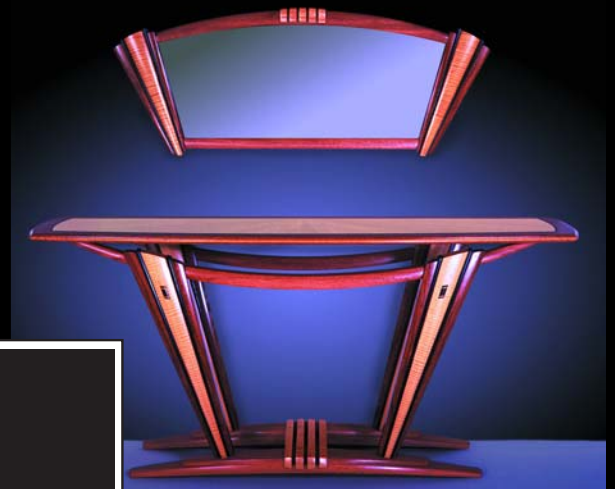
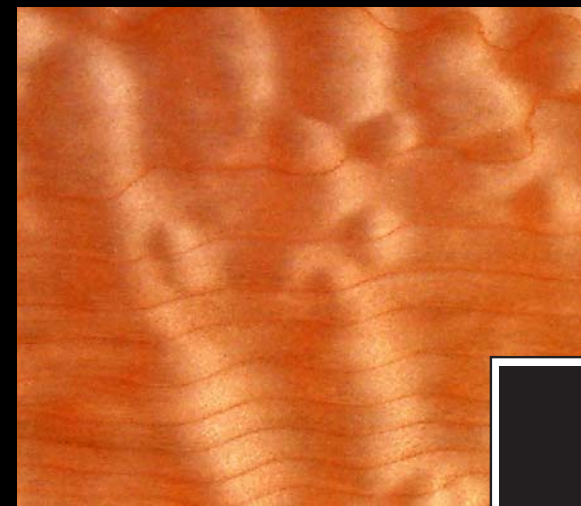
Jackel Enterprises maintains an extensive network of wood sources throughout the United States, Europe, Asia, Africa, and Australia. When you are searching for the hard to find give us a call.

Delivery

Our trucks deliver throughout the San Francisco Bay Area, to your shop or job site. We deliver Nationwide via common carrier or truck.



Supplying Quality Wood for Builders & Craftsmen



JACKEL
ENTERPRISES
Incorporated





Jackel Enterprises, Incorporated is situated in over 20,000 square feet of warehouse and mill shop centrally located to the Monterey Bay in Watsonville, California. Jackel is dedicated to providing high quality hardwoods and softwoods to the discerning builder, woodworker, cabinetmaker, furniture builder, manufacturer and millwork shop.

Jackel's focus is geared to providing quality, service and value for those wood users whose work requires high quality and exacting detail. Our deep appreciation of fine woods has led us to procure superior grades of lumber, enabling our customers to fabricate products of high value.

We primarily serve the San Francisco Bay Area. Our trucks deliver customer orders from Ukiah to Big Sur from Napa to Salinas. We ship nationwide via truck or common carrier. We also welcome you to our warehouse where you may personally select your lumber.

Our goal is to facilitate your lumber needs, to provide an important link in the building process, and to enable you, the building professional, to transform an idea or a plan to the finished product by supplying the best materials, excellent service and ultimately outstanding value.



Building Contractors

Jackel offers a wide variety of quality materials for the builder. We stock 35 species of hardwoods and softwoods available as lumber or run to standard or custom patterns. Our inventory includes a large stock of Western Red Cedar in clear, vertical fine grain and timbers. Our WRC timber stock ranges from 4 x 4 and wider to 12 x 12 and wider. Jackel also stocks a large inventory of full sawn, fine vertical grain, Doug Fir in 4/4 & 8/4.

Material:

- Over 35 Species Hardwoods & Softwoods*
- Western Red Cedar-Clear VG & Timbers*
- Recycled Lumber & Timbers*
- Wall & Ceiling Paneling*
- Gazebo and Garden*
- Doug Fir-Clear VG*
- Expert Consulting*
- Custom Mantles*
- Trim Packages*
- Box Beams*
- Redwood*
- Moldings*
- Flooring*
- Sidings*
- Decking*

Mill Shops

We maintain a large inventory of clears in a variety of Western Softwoods. Specializing in full sawn fine grain Doug Fir and Western Red Cedar, we provide many door and window manufacturers with lumber of the highest quality. Our extensive Western Red Cedar stock and our resawing and drying services enable us to furnish many custom orders.

Material:

- Western Red Cedar VG Fine Grain Full Sawn*
- Ponderosa and Sugar Pine-Molding Grades*
- Doug Fir VG, Fine Grain, Full Sawn*
- Alaskan Yellow Cedar*
- Port Orford Cedar*

Cabinetry, Furniture and Manufacturers

Our inventory of over 35 species of hardwoods and softwoods ensures the cabinetmaker of a consistent supply of quality material. You are welcome to our warehouse where you may select the lumber for your project. Our friendly staff is highly experienced in filling our customers needs however particular they may be. We deliver regularly throughout the San Francisco Bay Area.

Material:

- Mill Work Services-resawing, Surfacing, Cut to Size,*
- Over 35 Species of Hardwoods and Softwoods*
- Quarter Sawn Cherry, Maple, Oak, Walnut*
- Special Orders of Hard to Find Lumber*
- Vertical Grain Western Red Cedar*
- Vertical Grain Doug Fir*
- Exotic Hardwoods*
- Molding*

Architects & Designers

We are pleased to provide answers to issues of availability, color tone, characteristics and physical properties of a wide range of materials and products. We can provide wood samples, visit a job site or office to answer questions or help solve problems you might have.

